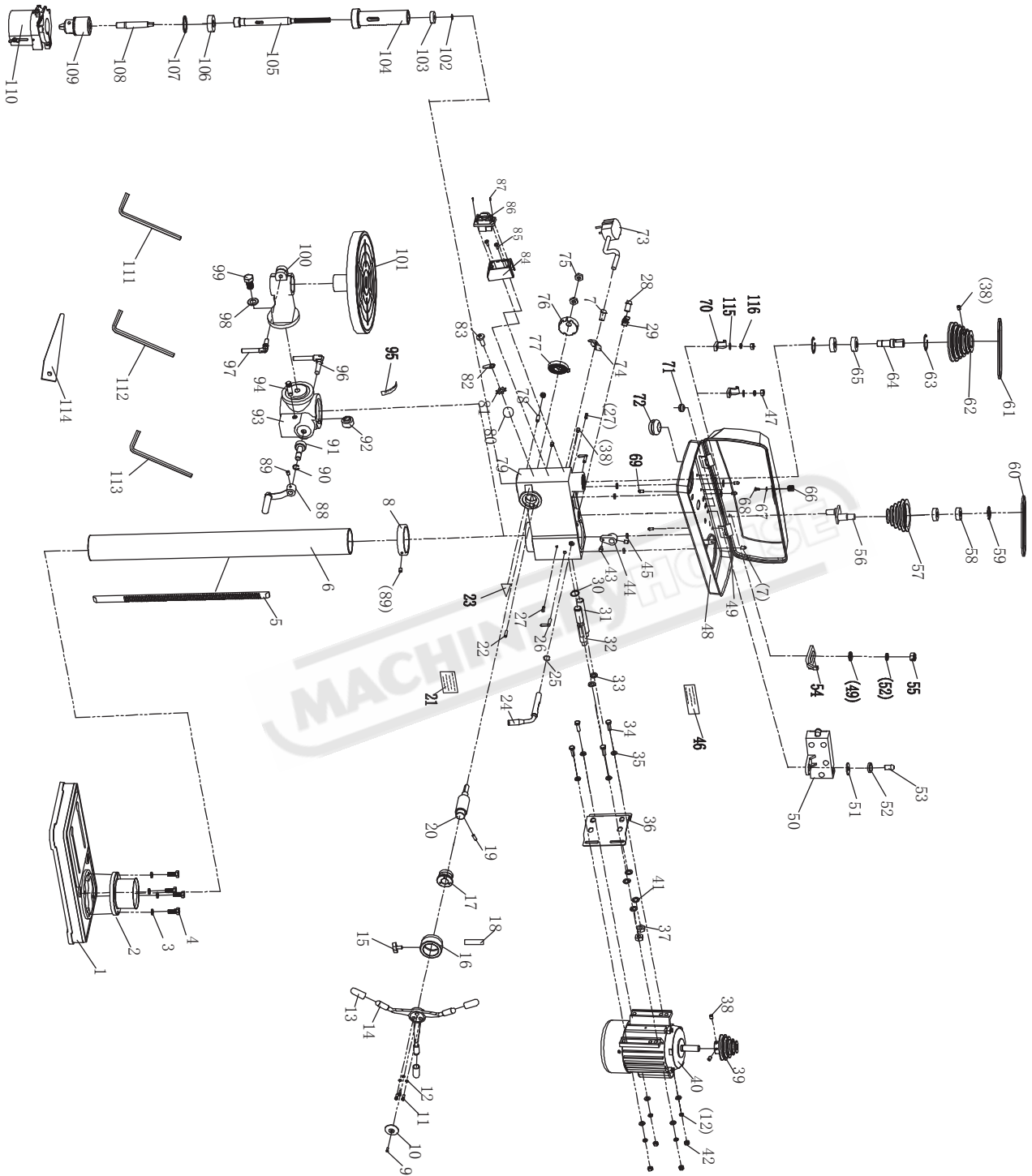


EXPLODED DIAGRAM OF DRILL PRESS BD-325 (D590)

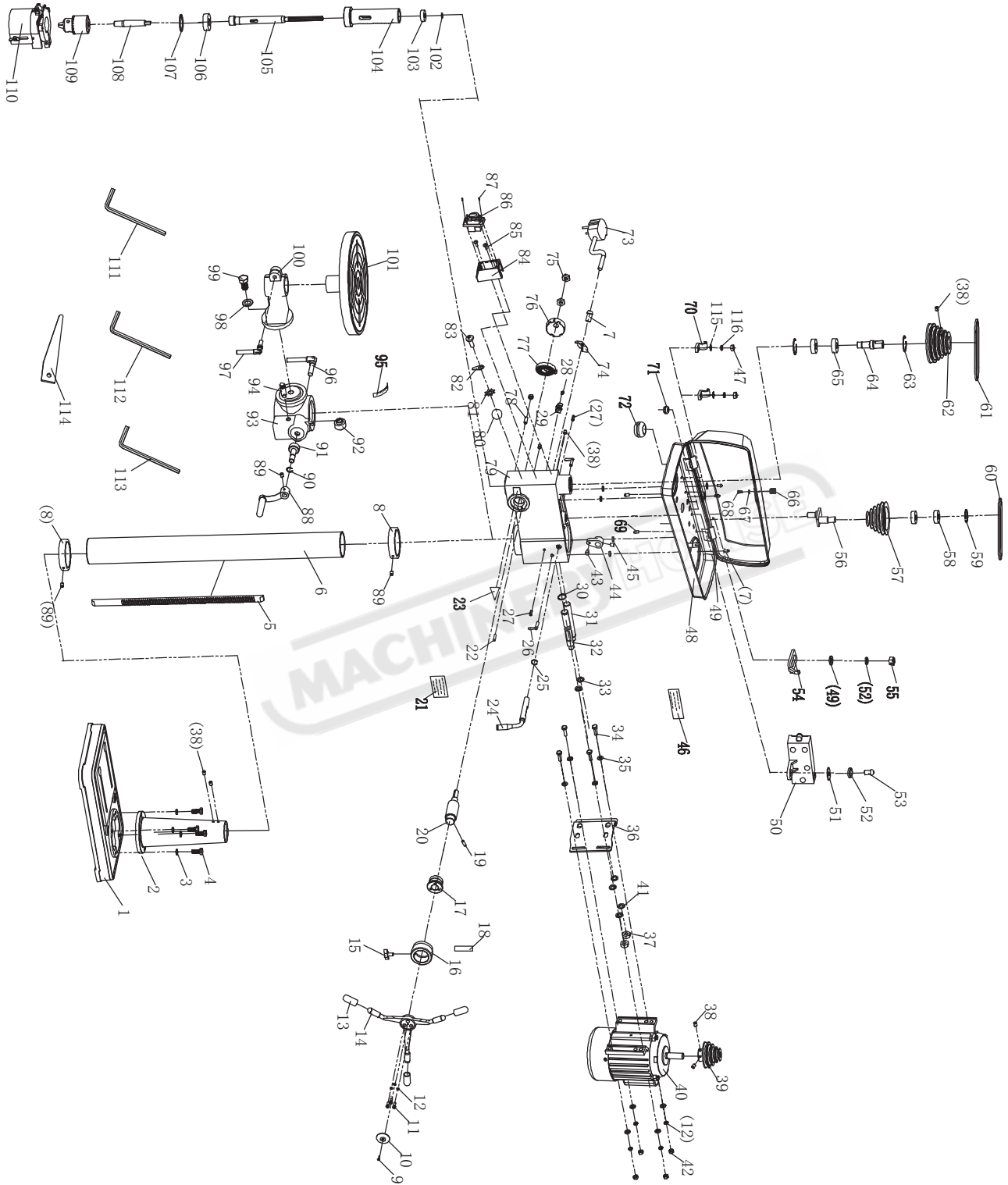


1	BASE
2	COLUMN FLANGE
3	SPRING WASHER
4	OUTSIDE HEX. BOLT
5	RACK
6	COLUMN
7	CROSS RECESS PAN HD SCREW
8	COLLAR RACK
9	CROSS RECESS COUNTERSUNK HD SCREW
10	CAP HANDLE
11	HEX. SOC HD CAP SCREW
12	SPRING WASHER
13	HANDLE SHEATH
14	HANDLE
15	WING KNOB
16	DIAL SCALE
17	CONNECTION LOOP
18	CALIBRATION LABEL
19	ROLL PIN
20	GEAR SHAFT
21	WARNING LABEL
22	ROLL PIN
23	INDICATOR
24	HANDLE BELT TENSION
25	CIRCLIP FOR BEARING
26	LOCKING HANDLE KNOB
27	ROLL PIN
28	CROSS RECESSED PAN HEAD SCREW
29	HOOP FOR KEY WRENCH
30	CIRCLIP FOR BEARING
31	SLIP SHAFT
32	ADJUSTING SHAFT
33	FLAT WASHER
34	OUTSIDE HEX. BOLT
35	FLAT WASHER
36	MOTOR CONNECTION PLATE
37	NUT
38	HEX. SOC SET SCREW
39	MOTOR PULLEY

40	MOTOR
41	SPRING WASHER
42	NUT
43	CAM PIN
44	CAM
45	DAMPING WASHER
46	SPEED LABEL
47	NUT
48	PULLEY COVER
49	FLAT WASHER
50	MICRO SWITCH BOX
51	BIG FLAT WASHER
52	SPRING WASHER
53	CROSS RECESSED PAN HEAD SCREW
54	MICRO SWITCH PRESSING CLAW
55	NUT
56	ECCENTRIC SHAFT
57	MIDDLE PULLEY
58	BEARING
59	CIRCLIP FOR HOLE
60	BELT
61	BELT
62	SPINDLE PULLEY
63	CIRCLIP FOR HOLE
64	KEYWAY SPINDLE
65	BEARING
66	PULLEY COVER KNOB
67	BIG FLAT WASHER
68	CROSS RECESSED PAN HEAD SCREW
69	CROSS RECESSED PAN HEAD SCREW
70	CORD CLAMP
71	PROTECTOR RING
72	PROTECTOR RING
73	PLUG WITH CABLE
74	CORD CLAMP
75	NUT
76	SPRING COVER
77	SPRING
78	A WORD HEAD SCREW

79	HOUSING
80	LABEL
81	TOOTH LOCK WASHER
82	GROUNDED PARTS
83	CROSS RECESS HEAD SCREW
84	SWITCH BOX
85	CROSS RECESS HEAD SCREW
86	SWITCH
87	CROSS RECESS HEAD TAPPING SCREW
88	CRANK
89	HEX. SOC SET SCREW
90	CIRCLIP FOR BEARING
91	WORM
92	WORM GEAR
93	TABLE SUPPORT
94	WORM PIN
95	ANGLE LABEL
96	LOCKING HANDLE
97	LOCKING HANDLE
98	SPRING WASHER
99	OUTSIDE HEX. BOLT
100	TABLE ARM
101	WORKING TABLE
102	CIRCLIP FOR BEARING
103	BEARING
104	SPINDLE SOCKET
105	MAIN SPINDLE
106	BEARING
107	WASHER
108	TAPER SPINDLE
109	CHUCK
110	CHUCK GUARD
111	HEXAGON BAR WRENCH
112	HEXAGON BAR WRENCH
113	HEXAGON BAR WRENCH
114	THICK BRAKE IRON
115	FLAT WASHER
116	SPRING WASHER

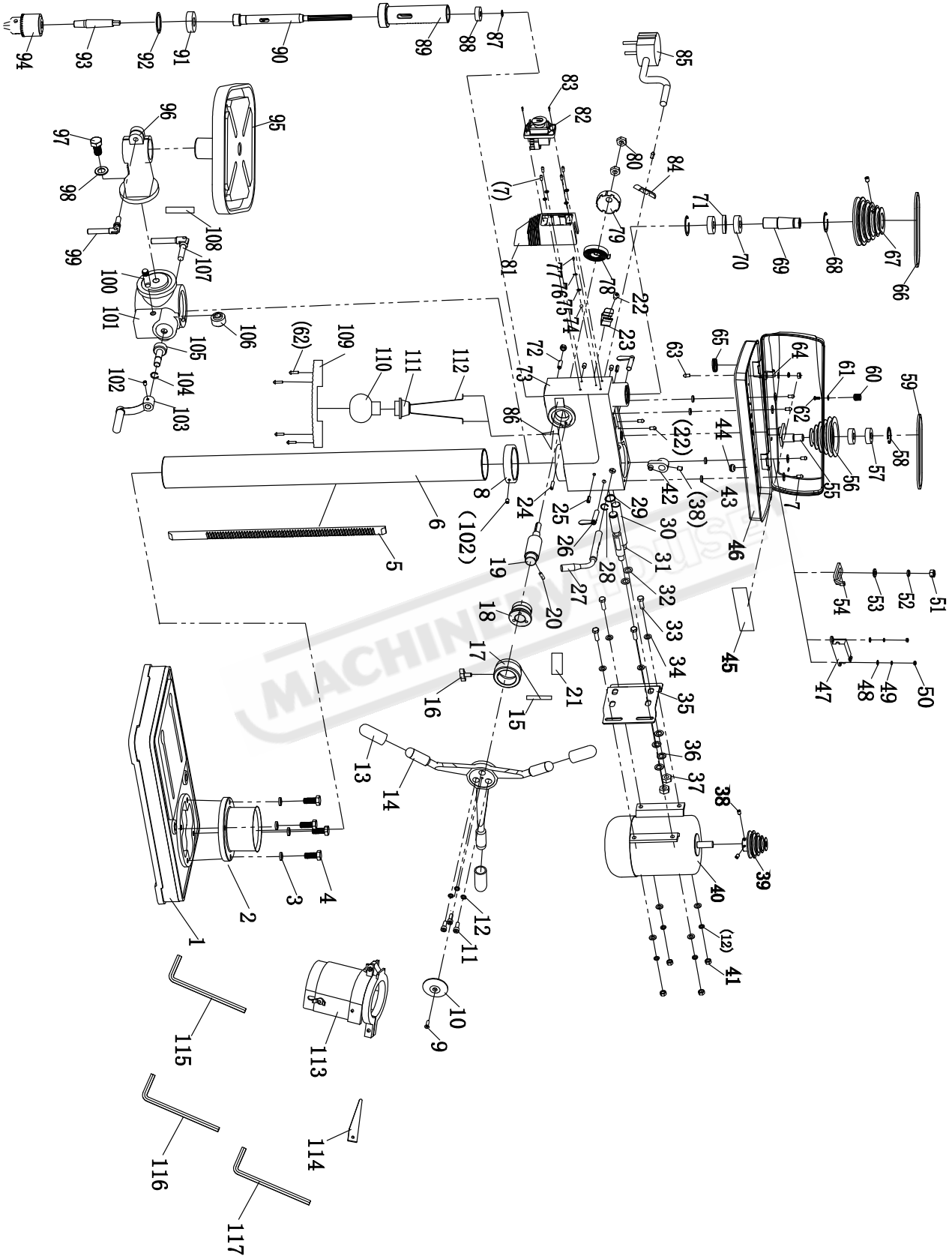
EXPLODED DIAGRAM OF DRILL PRESS PD-325 (D592)



1	BASE
2	COLUMN FLANGE
3	SPRING WASHER
4	OUTSIDE HEX. BOLT
5	RACK
6	COLUMN
7	CROSS RECESS PAN HD SCREW
8	COLLAR RACK
9	CROSS RECESS COUNTERSUNK HD SCREW
10	CAP HANDLE
11	HEX. SOC HD CAP SCREW
12	SPRING WASHER
13	HANDLE SHEATH
14	HANDLE
15	WING KNOB
16	DIAL SCALE
17	CONNECTION LOOP
18	CALIBRATION LABEL
19	ROLL PIN
20	GEAR SHAFT
21	WARNING LABEL
22	ROLL PIN
23	INDICATOR
24	HANDLE BELT TENSION
25	CIRCLIP FOR BEARING
26	LOOKING HANDLE KNOB
27	ROLL PIN
28	CROSS RECESSED PAN HEAD SCREW
29	HOOP FOR KEY WRENCH
30	CIRCLIP FOR BEARING
31	SLIP SHAFT
32	ADJUSTING SHAFT
33	FLAT WASHER
34	OUTSIDE HEX. BOLT
35	FLAT WASHER
36	MOTOR CONNECTION PLATE
37	NUT
38	HEX. SOC SET SCREW
39	MOTOR PULLEY

40	MOTOR
41	SPRING WASHER
42	NUT
43	CAM PIN
44	CAM
45	DAMPING WASHER
46	SPEED LABEL
47	NUT
48	PULLEY COVER
49	FLAT WASHER
50	MICRO SWITCH BOX
51	BIG FLAT WASHER
52	SPRING WASHER
53	CROSS RECESSED PAN HEAD SCREW
54	MICRO SWITCH PRESSING CLAW
55	NUT
56	ECCENTRIC SHAFT
57	MIDDLE PULLEY
58	BEARING
59	CIRCLIP FOR HOLE
60	BELT
61	BELT
62	SPINDLE PULLEY
63	CIRCLIP FOR HOLE
64	KEYWAY SPINDLE
65	BEARING
66	PULLEY COVER KNOB
67	BIG FLAT WASHER
68	CROSS RECESSED PAN HEAD SCREW
69	CROSS RECESSED PAN HEAD SCREW
70	CORD CLAMP
71	PROTECTOR RING
72	PROTECTOR RING
73	PLUG WITH CABLE
74	CORD CLAMP
75	NUT
76	SPRING COVER
77	SPRING
78	A WORD HEAD SCREW

79	HOUSING
80	LABEL
81	TOOTH LOCK WASHER
82	GROUND PARTS
83	CROSS RECESS HEAD SCREW
84	SWITCH BOX
85	CROSS RECESS HEAD SCREW
86	SWITCH
87	CROSS RECESS HEAD TAPPING SCREW
88	CRANK
89	HEX. SOC SET SCREW
90	CIRCLIP FOR BEARING
91	WORM
92	WORM GEAR
93	TABLE SUPPORT
94	WORM PIN
95	ANGLE LABEL
96	LOCKING HANDLE
97	LOCKING HANDLE
98	SPRING WASHER
99	OUTSIDE HEX. BOLT
100	TABLE ARM
101	WORKING TABLE
102	CIRCLIP FOR BEARING
103	BEARING
104	SPINDLE SOCKET
105	MAIN SPINDLE
106	BEARING
107	WASHER
108	TAPER SPINDLE
109	CHUCK
110	CHUCK GUARD
111	HEXAGON BAR WRENCH
112	HEXAGON BAR WRENCH
113	HEXAGON BAR WRENCH
114	THICK BRAKE IRON
115	FLAT WASHER
116	SPRING WASHER

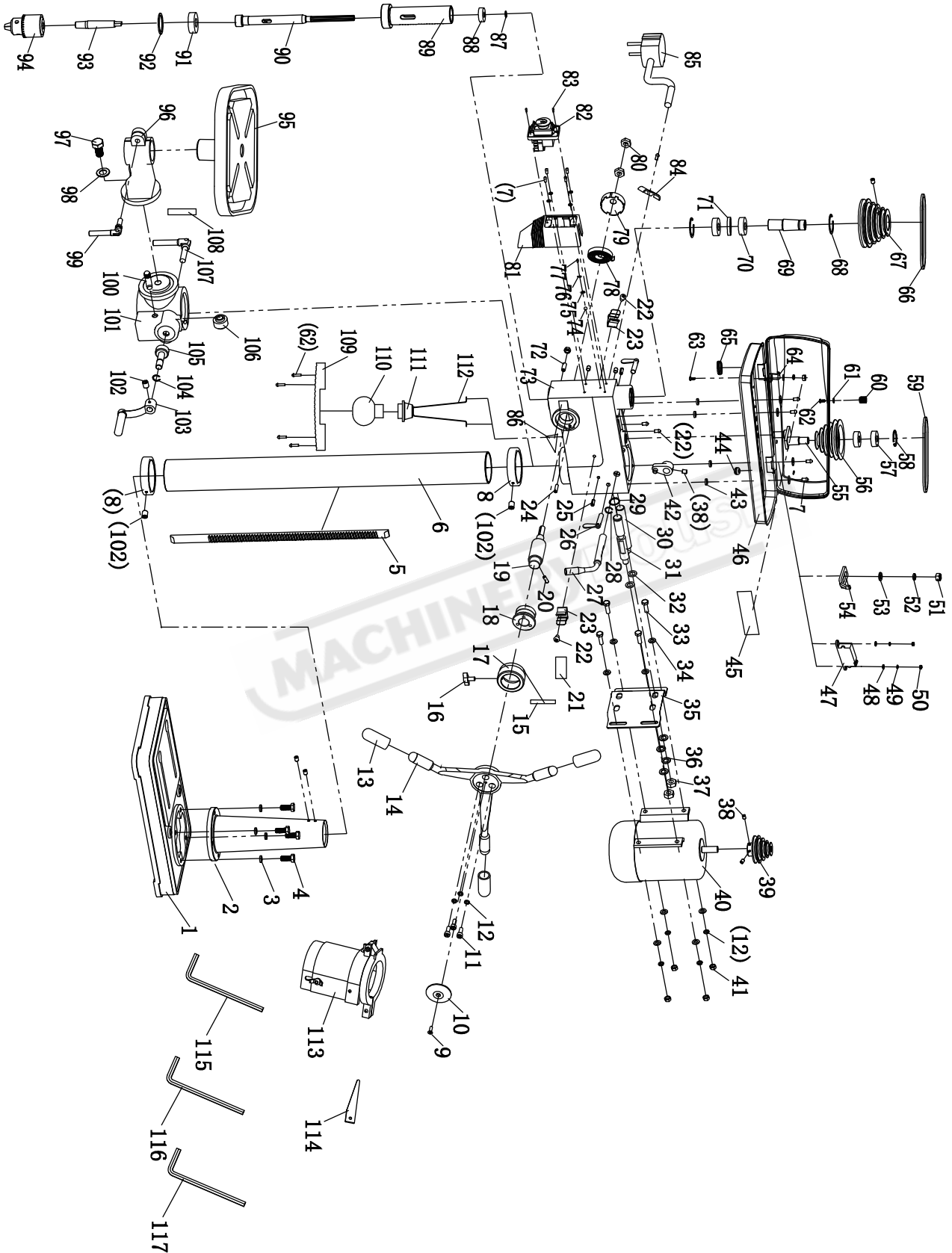


1	BASE
2	COLUMN FLANGE
3	SPRING WASHER
4	OUTSIDE HEX. BOLT
5	RACK
6	COLUMN
7	CROSS RECESS PAN HD SCREW
8	COLLAR RACK
9	CROSS RECESS COUNTERSUNK HD SCREW
10	CAP HANDLE
11	HEX. SOC HD CAP SCREW
12	SPRING WASHER
13	HANDLE SHEATH
14	HANDLE
15	CALIBRATION LABEL
16	WING KNOB
17	DIAL SCALE
18	CONNECTION LOOP
19	GEAR SHAFT
20	ROLL PIN
21	WARNING LABEL
22	CROSS RECESSED PAN HEAD SCREW
23	HOOP FOR KEY WRENCH
24	ROLL PIN
25	ROLL PIN
26	LOCKING HANDLE KNOB
27	HANDLE BELT TENSION
28	CIRCLIP FOR BEARING
29	CIRCLIP FOR BEARING
30	SLIP SHAFT
31	ADJUSTING SHAFT
32	FLAT WASHER
33	OUTSIDE HEX. BOLT
34	FLAT WASHER
35	MOTOR CONNECTION PLATE
36	SPRING WASHER
37	NUT
38	HEX. SOC SET SCREW
39	MOTOR PULLEY

40	MOTOR
41	NUT
42	CAM ASSEMBLY
43	DAMPING WASHER
44	PROTECTOR RING
45	SPEED LABEL
46	PULLEY COVER
47	MICRO SWITCH
48	FLAT WASHER
49	SPRING WASHER
50	NUT
51	NUT
52	SPRING WASHER
53	FLAT WASHER
54	MICRO SWITCH PRESSING CLAW
55	ECCENTRIC SHAFT
56	MIDDLE PULLEY
57	BEARING
58	CIRCLIP FOR HOLE
59	BELT
60	PULLEY COVER KNOB
61	BIG FLAT WASHER
62	CROSS RECESSED PAN HEAD SCREW
63	CROSS RECESSED PAN HEAD SCREW
64	CORD CLAMP
65	PROTECTOR RING
66	BELT
67	SPINDLE PULLEY
68	CIRCLIP FOR HOLE
69	KEYWAY SPINDLE
70	BEARING
71	BEARING RING
72	A WORD HEAD SCREW
73	HOUSING
74	LABEL
75	TOOTH LOCK WASHER
76	GROUNDDED PARTS
77	CROSS RECESS HEAD SCREW
78	SPRING

79	SPRING COVER
80	THIN NUT
81	SWITCH BOX
82	SWITCH
83	CROSS RECESS HEAD TAPPING SCREW
84	CORD CLAMP
85	PLUG WITH CABLE
86	INDICATOR
87	CIRCLIP FOR BEARING
88	BEARING
89	SPINDLE SOCKET
90	MAIN SPINDLE
91	BEARING
92	WASHER
93	TAPER SPINDLE
94	CHUCK
95	WORKING TABLE
96	TABLE ARM
97	OUTSIDE HEX BOLT
98	SPRING WASHER
99	LOCKING HANDLE
100	WORM PIN
101	TABLE SUPPORT
102	HEX. SOC SET SCREW
103	CRANK
104	CIRCLIP FOR BEARING
105	WORM
106	WORM GEAR
107	LOCKING HANDLE
108	ANGLE LABEL
109	LAMP-CHIMNEY
110	LAMP-BULB
111	LAMP-SOCKET
112	LAMP-BRACKET
113	CHUCK GUARD
114	THICK BRAKE IRON
115	HEXAGON BAR WRENCH
116	HEXAGON BAR WRENCH
117	HEXAGON BAR WRENCH

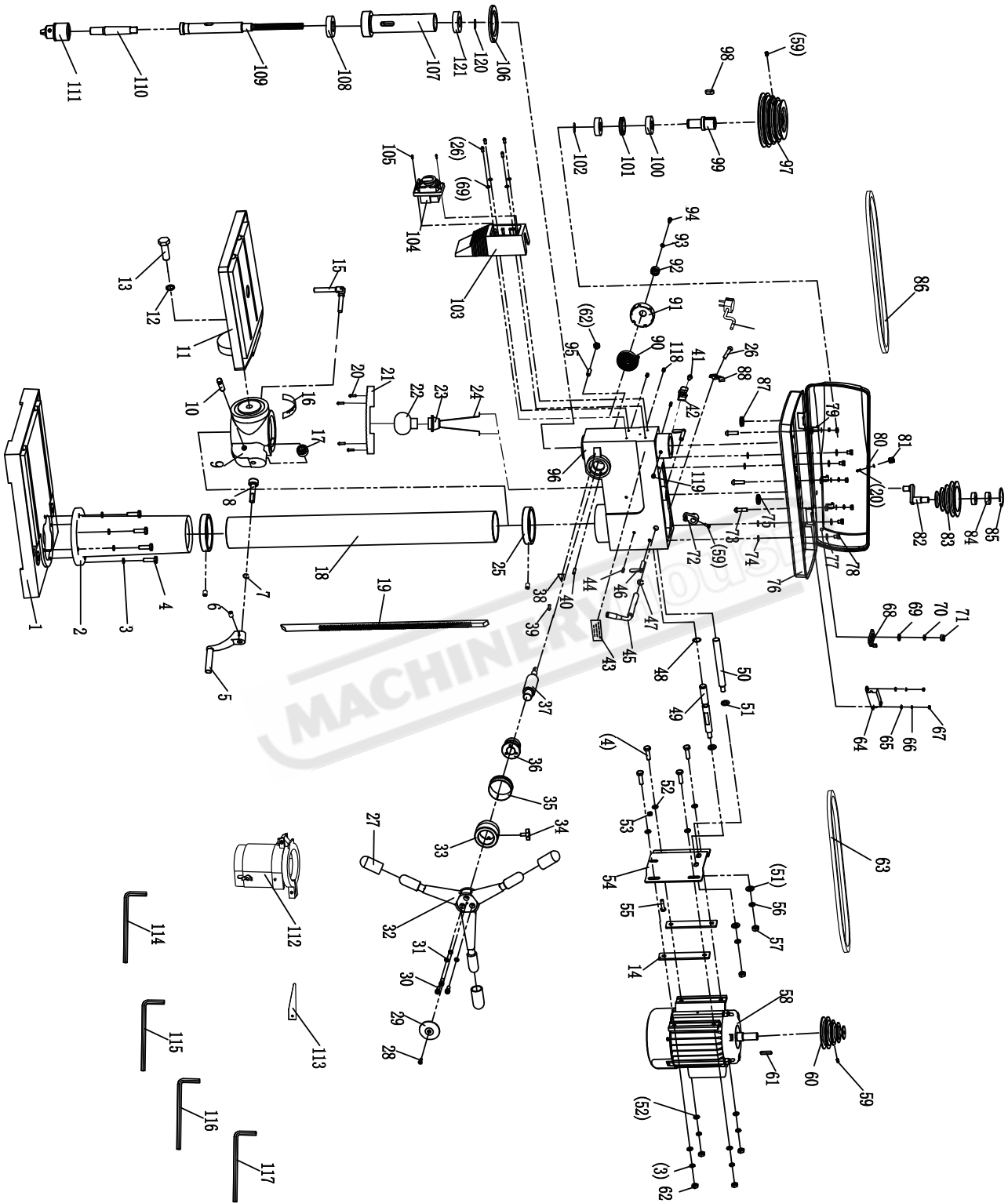
EXPLODED DIAGRAM OF DRILL PRESS PD-360 (D596)



1	BASE
2	COLUMN FLANGE
3	SPRING WASHER
4	OUTSIDE HEX. BOLT
5	RACK
6	COLUMN
7	CROSS RECESS PAN HD SCREW
8	COLLAR RACK
9	CROSS RECESS COUNTERSUNK HD SCREW
10	CAP HANDLE
11	HEX. SOC HD CAP SCREW
12	SPRING WASHER
13	HANDLE SHEATH
14	HANDLE
15	CALIBRATION LABEL
16	WING KNOB
17	DIAL SCALE
18	CONNECTION LOOP
19	GEAR SHAFT
20	ROLL PIN
21	WARNING LABEL
22	CROSS RECESSED PAN HEAD SCREW
23	HOOP FOR KEY WRENCH
24	ROLL PIN
25	ROLL PIN
26	WING KNOB
27	HANDLE BELT TENSION
28	CIRCLIP FOR BEARING
29	CIRCLIP FOR BEARING
30	SLIP SHAFT
31	ADJUSTING SHAFT
32	FLAT WASHER
33	OUTSIDE HEX. BOLT
34	FLAT WASHER
35	MOTOR CONNECTION PLATE
36	SPRING WASHER
37	N U T
38	HEX. SOC SET SCREW
39	MOTOR PULLEY

40	MOTOR
41	N U T
42	CAM ASSEMBLY
43	DAMPING WASHER
44	PROTECTOR RING
45	SPEED LABEL
46	PULLEY COVER
47	MICRO SWITCH
48	FLAT WASHER
49	SPRING WASHER
50	NUT
51	NUT
52	SPRING WASHER
53	FLAT WASHER
54	MICRO SWITCH PRESSING CLAW
55	ECCENTRIC SHAFT
56	MIDDLE PULLEY
57	BEARING
58	CIRCLIP FOR HOLE
59	BELT
60	PULLEY COVER KNOB
61	BIG FLAT WASHER
62	CROSS RECESSED PAN HEAD SCREW
63	CROSS RECESSED PAN HEAD SCREW
64	CORD CLAMP
65	PROTECTOR RING
66	BELT
67	SPINDLE PULLEY
68	CIRCLIP FOR HOLE
69	KEYWAY SPINDLE
70	BEARING
71	BEARING RING
72	A WORD HEAD SCREW
73	HOUSING
74	LABEL
75	TOOTH LOCK WASHER
76	GROUNDIED PARTS
77	CROSS RECESS HEAD SCREW
78	SPRING

79	SPRING COVER
80	THIN NUT
81	SWITCH BOX
82	SWITCH
83	CROSS RECESS HEAD TAPPING SCREW
84	CORD CLAMP
85	PLUG WITH CABLE
86	INDICATOR
87	CIRCLIP FOR BEARING
88	BEARING
89	SPINDLE SOCKET
90	MAIN SPINDLE
91	BEARING
92	WASHER
93	TAPER SPINDLE
94	CHUCK
95	WORKING TABLE
96	TABLE ARM
97	OUTSIDE HEX BOLT
98	SPRING WASHER
99	LOCKING HANDLE
100	WORM PIN
101	TABLE SUPPORT
102	HEX. SOC SET SCREW
103	CRANK
104	CIRCLIP FOR BEARING
105	WORM
106	WORM GEAR
107	LOCKING HANDLE
108	ANGLE LABEL
109	LAMP-CHIMNEY
110	LAMP-BULB
111	LAMP-SOCKET
112	LAMP-BRACKET
113	CHUCK GUARD
114	THICK BRAKE IRON
115	HEXAGON BAR WRENCH
116	HEXAGON BAR WRENCH
117	HEXAGON BAR WRENCH



EXPLODED DIAGRAM OF DRILL PRESS PD-440 (D598)

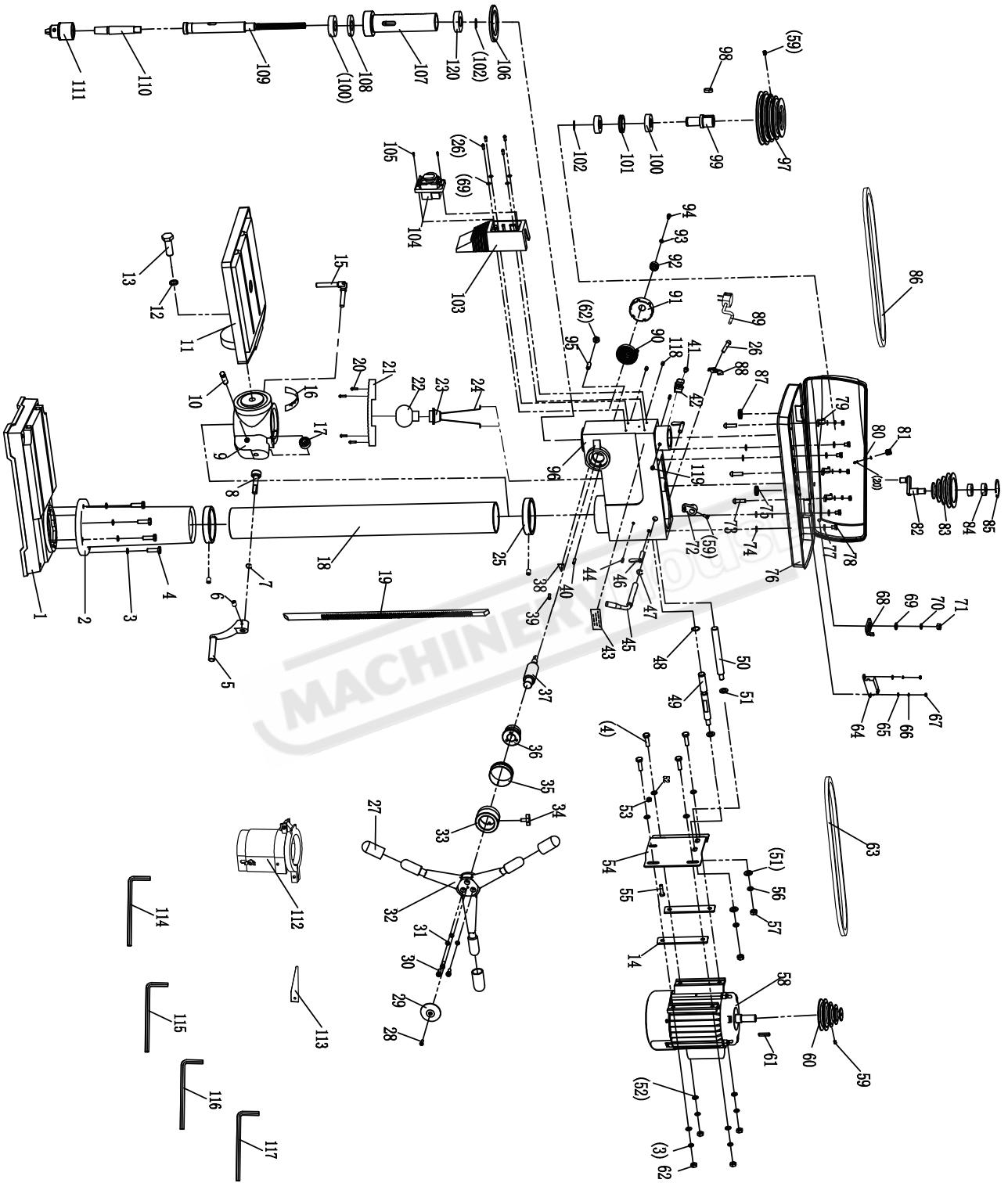
1	BASE
2	COLUMN FLANGE
3	SPRING WASHER
4	OUTSIDE HEX. BOLT
5	CRANK
6	HEX. SOC SET SCREW
7	CIRCLIP FOR BEARING
8	WORM
9	TABLE SUPPORT
10	WORM PIN
11	WORKING TABLE
12	SPRING WASHER
13	OUTSIDE HEX. BOLT
14	RUBBER BLANKET
15	LOCKING HANDLE
16	ANGLE LABEL
17	WORM GEAR
18	COLUMN
19	RACK
20	CROSS RECESS PAN HD SCREW
21	LAMP-CHIMNEY
22	LAMP-BULB
23	LAMP-SOCKET
24	LAMP-BRACKET
25	COLLAR RACK
26	CROSS RECESS PAN HD SCREW
27	HANDLE SHEATH
28	CROSS RECESS COUNTERSUNK HD SCREW
29	CAP HANDLE
30	HEX. SOC HD CAP SCREW
31	SPRING WASHER
32	HANDLE
33	DIAL SCALE
34	LOCKING HANDLE KNOB
35	CALIBRATION LABEL
36	CONNECTION LOOP
37	GEAR SHAFT
38	INDICATOR
39	CLINCH BOLT

40	ROLL PIN
41	CROSS RECESS PAN HD SCREW
42	HOOP FOR KEY WRENCH
43	WARNING LABEL
44	ROLL PIN
45	HANDLE BELT TENSION
46	LOCKING HANDLE KNOB
47	CIRCLIP FOR BEARING
48	CIRCLIP FOR BEARING
49	ADJUSTING SHAFT
50	SLIP SHAFT
51	FLAT WASHER
52	FLAT WASHER
53	NUT
54	MOTOR CONNECTION PLATE
55	OUTSIDE HEX. BOLT
56	SPRING WASHER
57	NUT
58	MOTOR
59	HEX. SOC SET SCREW
60	MOTOR PULLEY
61	FLAT KEY
62	NUT
63	BELT
64	MICRO SWITCH ASSEMBLY
65	FLAT WASHER
66	SPRING WASHER
67	NUT
68	MICRO SWITCH PRESSING CLAW
69	FLAT WASHER
70	SPRING WASHER
71	NUT
72	CAM ASSEMBLY
73	CROSS RECESSED PAN HEAD SCREW
74	DAMPING WASHER
75	PROTECTOR RING
76	PULLEY COVER
77	FLAT WASHER
78	OUTSIDE HEX BOLT

79	CORD CLAMP
80	BIG FLAT WASHER
81	PULLEY COVER KNOB
82	ECCENTRIC SHAFT
83	MIDDLE PULLEY
84	BEARING
85	CIRCLIP FOR BEARING
86	BELT
87	PROTECTOR RING
88	CORD CLAMP
89	PLUG WITH CABLE
90	SPRING
91	SPRING COVER
92	MILLED NUT
93	BIG FLAT WASHER
94	HEX. SOC HD CAP SCREW
95	A WORD HEAD SCREW
96	HOUSING
97	SPINDLE PULLEY
98	FLAT KEY
99	KEYWAY SPINDLE
100	BEARING
101	BEARING RING
102	CIRCLIP FOR BEARING
103	SWITCH BOX
104	SWITCH
105	CROSS RECESS HEAD TAPPING SCREW
106	WASHER
107	SPINDLE SOCKET
108	BEARING
109	MAIN SPINDLE
110	TAPER CORE
111	CHUCK
112	CHUCK GUARD
113	THICK BRAKE IRON
114	HEXAGON BAR WRENCH
115	HEXAGON BAR WRENCH
116	HEXAGON BAR WRENCH
117	HEXAGON BAR WRENCH

118	HEX. SOC SET SCREW
119	HEX. SOC SET SCREW
120	CIRCLIP FOR BEARING
121	BEARING

EXPLODED DIAGRAM OF DRILL PRESS PD-510 (D600)



EXPLODED DIAGRAM OF DRILL PRESS PD-510 (D600)

1	BASE
2	COLUMN FLANGE
3	SPRING WASHER
4	OUTSIDE HEX. BOLT
5	CRANK
6	HEX. SOC SET SCREW
7	CIRCLIP FOR BEARING
8	WORM
9	TABLE SUPPORT
10	WORM PIN
11	WORKING TABLE
12	SPRING WASHER
13	OUTSIDE HEX. BOLT
14	RUBBER BLANKET
15	LOCKING HANDLE
16	ANGLE LABEL
17	WORM GEAR
18	COLUMN
19	RACK
20	CROSS RECESS PAN HD SCREW
21	LAMP-CHIMNEY
22	LAMP-BULB
23	LAMP-SOCKET
24	LAMP-BRACKET
25	COLLAR RACK
26	CROSS RECESS PAN HD SCREW
27	HANDLE SHEATH
28	CROSS RECESS COUNTERSUNK HD SCREW
29	CAP HANDLE
30	HEX. SOC HD CAP SCREW
31	SPRING WASHER
32	HANDLE
33	DIAL SCALE
34	LOCKING HANDLE KNOB
35	CALIBRATION LABEL
36	CONNECTION LOOP
37	GEAR SHAFT
38	INDICATOR
39	CLINCH BOLT

40	ROLL PIN
41	CROSS RECESS PAN HD SCREW
42	HOOP FOR KEY WRENCH
43	WARNING LABEL
44	ROLL PIN
45	HANDLE BELT TENSION
46	LOCKING HANDLE KNOB
47	CIRCLIP FOR BEARING
48	CIRCLIP FOR BEARING
49	ADJUSTING SHAFT
50	SLIP SHAFT
51	FLAT WASHER
52	FLAT WASHER
53	NUT
54	MOTOR CONNECTION PLATE
55	OUTSIDE HEX. BOLT
56	SPRING WASHER
57	NUT
58	MOTOR
59	HEX. SOC SET SCREW
60	MOTOR PULLEY
61	FLAT KEY
62	NUT
63	BELT
64	MICRO SWITCH ASSEMBLY
65	FLAT WASHER
66	SPRING WASHER
67	NUT
68	MICRO SWITCH PRESSING CLAW
69	FLAT WASHER
70	SPRING WASHER
71	NUT
72	CAM ASSEMBLY
73	CROSS RECESSED PAN HEAD SCREW
74	DAMPING WASHER
75	PROTECTOR RING
76	PULLEY COVER
77	FLAT WASHER
78	OUTSIDE HEX BOLT

79	CORD CLAMP
80	BIG FLAT WASHER
81	PULLEY COVER KNOB
82	ECCENTRIC SHAFT
83	MIDDLE PULLEY
84	BEARING
85	CIRCLIP FOR BEARING
86	BELT
87	PROTECTOR RING
88	CORD CLAMP
89	PLUG WITH CABLE
90	SPRING
91	SPRING COVER
92	MILLED NUT
93	BIG FLAT WASHER
94	HEX. SOC HD CAP SCREW
95	A WORD HEAD SCREW
96	HOUSING
97	SPINDLE PULLEY
98	FLAT KEY
99	KEYWAY SPINDLE
100	BEARING
101	BEARING RING
102	CIRCLIP FOR BEARING
103	SWITCH BOX
104	SWITCH
105	CROSS RECESS HEAD TAPPING SCREW
106	WASHER
107	SPINDLE SOCKET
108	BEARING
109	MAIN SPINDLE
110	TAPER SPINDLE
111	CHUCK
112	CHUCK GUARD
113	THICK BRAKE IRON
114	HEXAGON BAR WRENCH
115	HEXAGON BAR WRENCH
116	HEXAGON BAR WRENCH
117	HEXAGON BAR WRENCH

118	HEX. SOC SET SCREW
119	HEX. SOC SET SCREW
120	BEARING